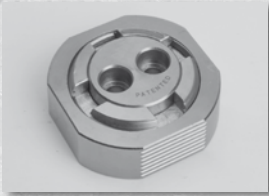
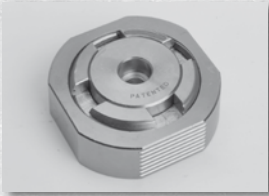




**Set
CAM SYSTEM "t"**
pag. 7.3



CAM SYSTEM "t"
pag. 7.4



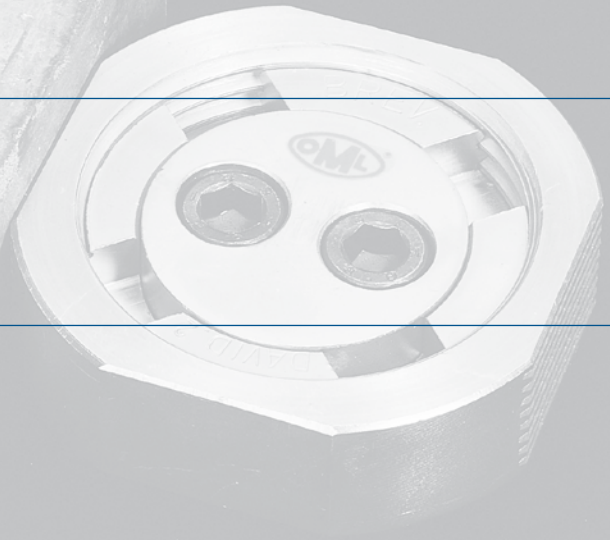
CAM SYSTEM "g"
pag. 7.5



**Set
CAM SYSTEM "s"**
pag. 7.6

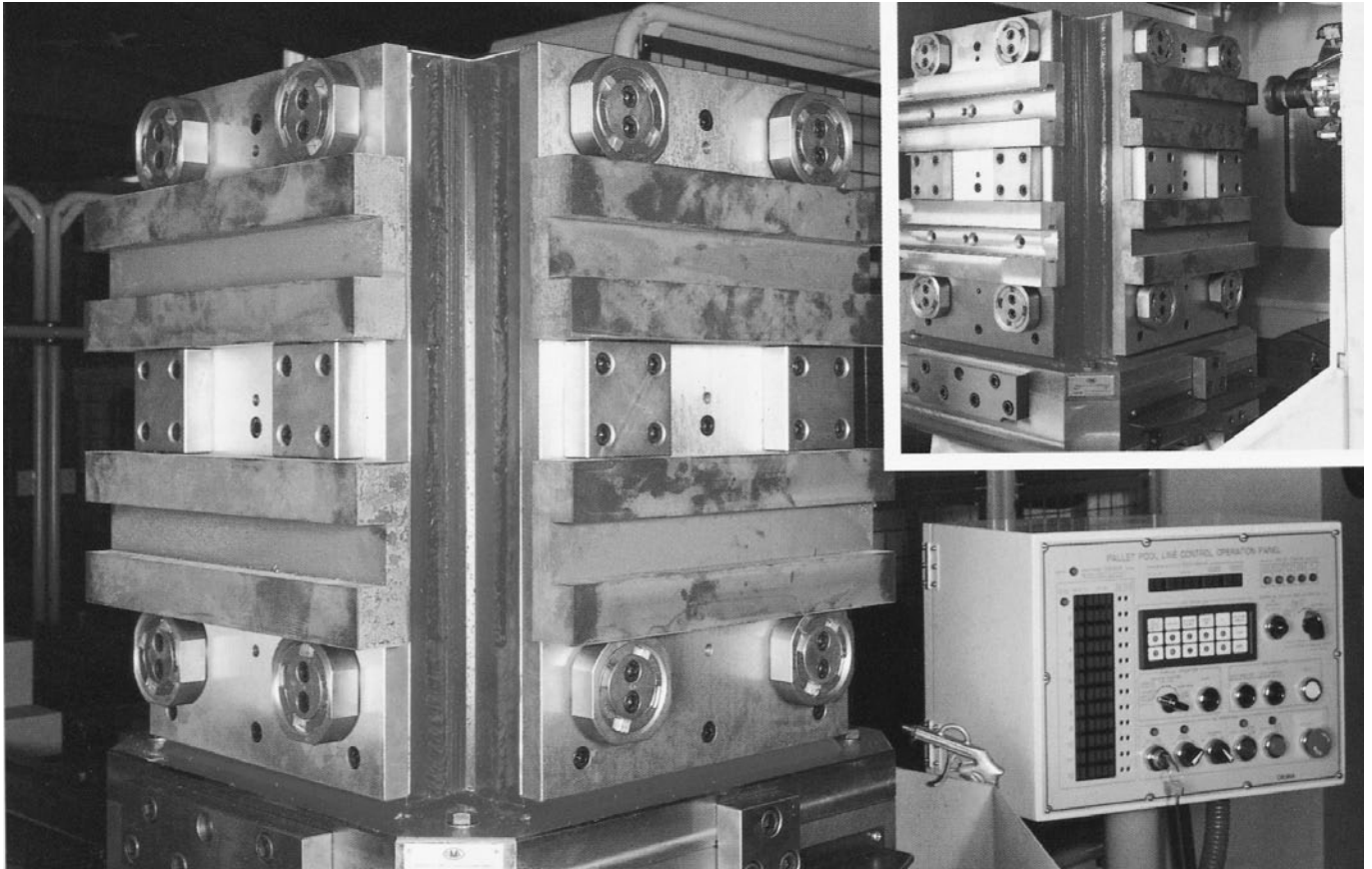


CAM SYSTEM "s"
pag. 7.7



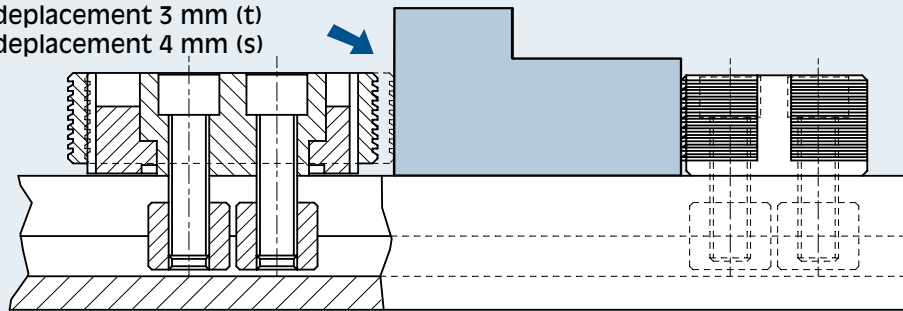
CAM SYSTEM

eccentric self-locking clamping devices

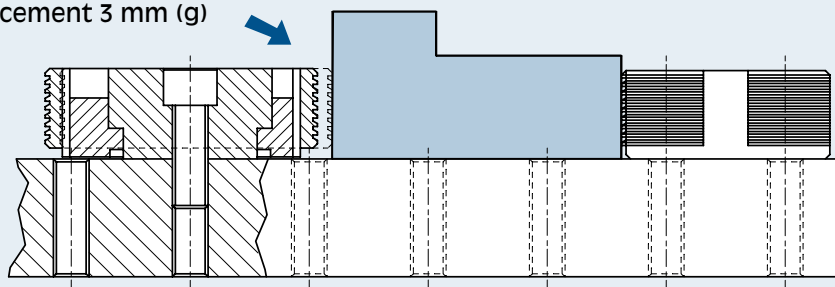


The **CAM SYSTEM** has been developed and patented to easily clamp workpieces with varied forms. This compact product enables double locking (Axial and Radial) using the eccentric and propeller principle. With a rotation of approximately 15°, contact is made with the workpiece with the complete clamping face of the CAM. The **CAM SYSTEM** clamps the workpiece with a clamping force of 4,000 kg (t) and 2,000 kg (s). **CAM SYSTEM** is supplied with both cap head bolts and T-nuts to suit the particular machine tool cross slots. **CAM SYSTEM** "g" is supplied singly, to the customer detailed grid specification.

displacement 3 mm (t)
displacement 4 mm (s)

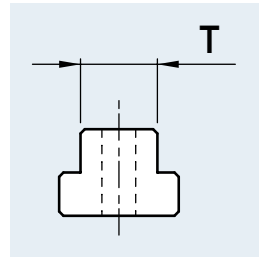


displacement 3 mm (g)

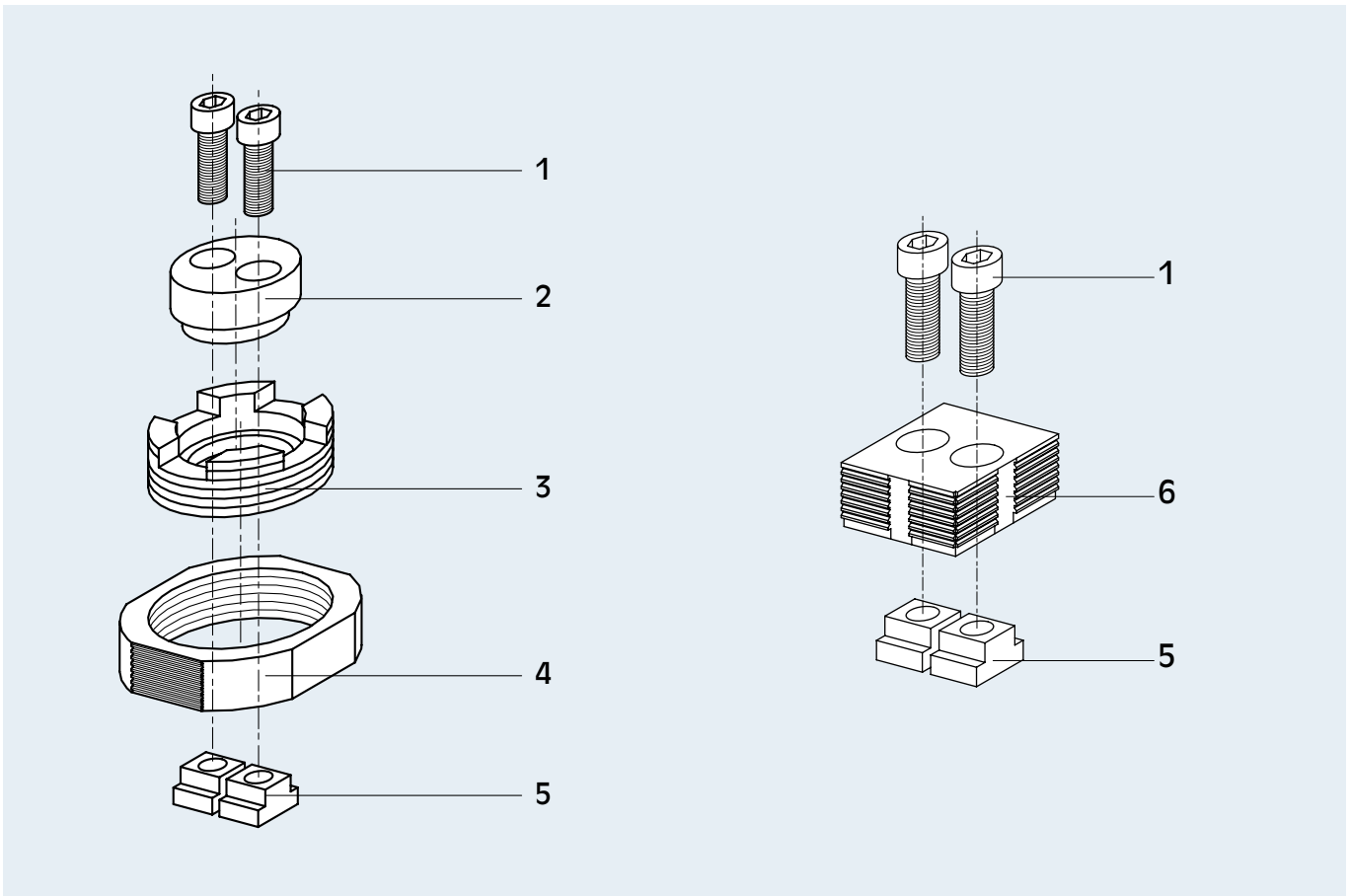




Set CAM SYSTEM "t" complete with:
 N. 4 CAM SYSTEM "t"
 N. 4 fixed block CAM SYSTEM 't'
 N. 8 pair of T-nuts with screw
 N. 1 key for CAM SYSTEM 't'
 wooden packing case



Cod.	T mm
77 58 44 14	14
77 58 44 16	16
77 58 44 18	18
77 58 44 20	20
77 58 44 22	22

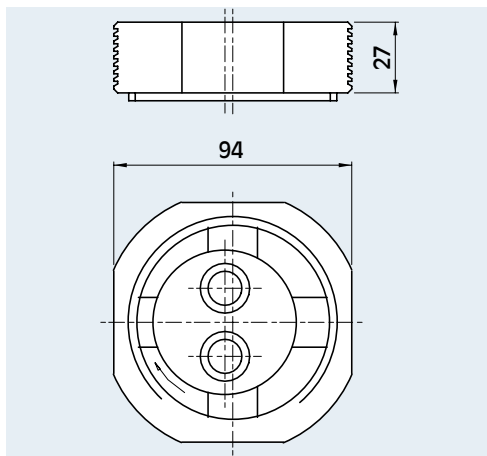
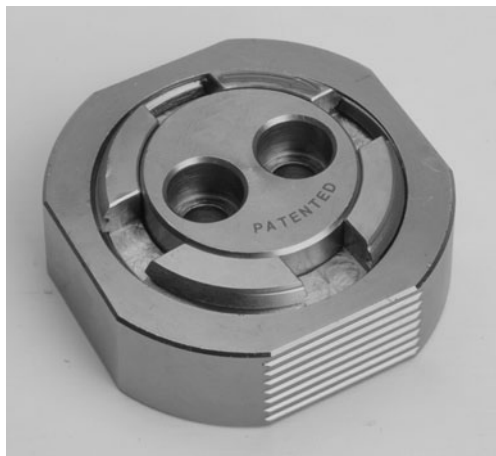


Description

01..... Screw | 03..... Eccentric element | 05..... T-nuts
 02..... Cental element | 04..... Clamping element | 06..... Fixed block

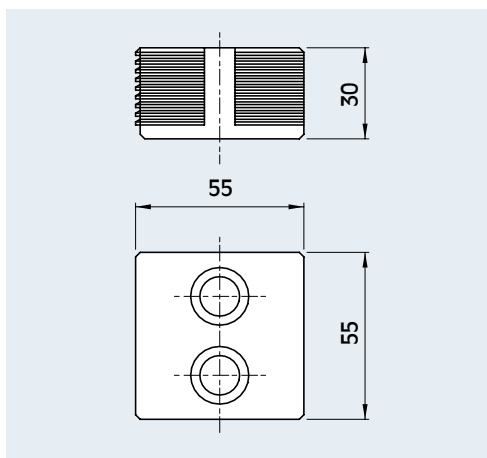
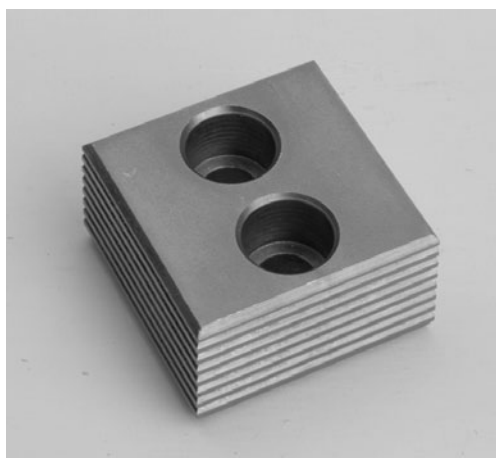
CAM SYSTEM "t"

eccentric self-locking clamping devices



**CAM SYSTEM "t"
single**

Cod.
58 44 50 10



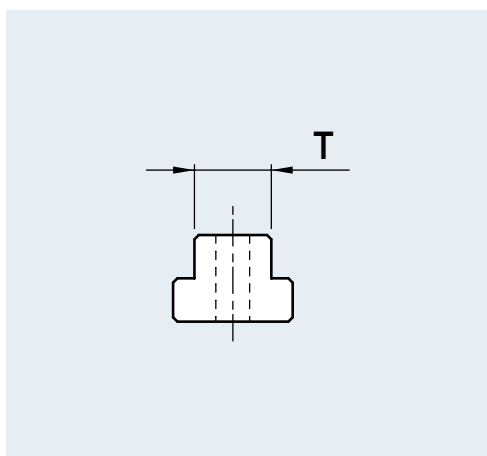
**Fixed block
CAM SYSTEM "t"**

Cod.
58 44 04 00



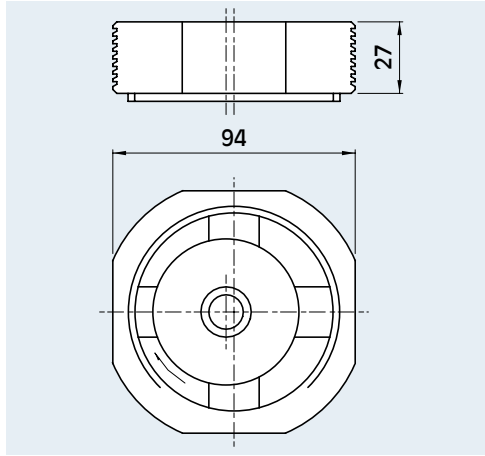
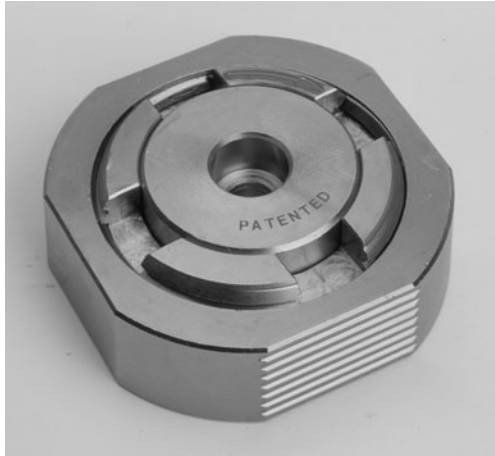
**Key for
CAM SYSTEM "t"**

Cod.
58 44 08 00



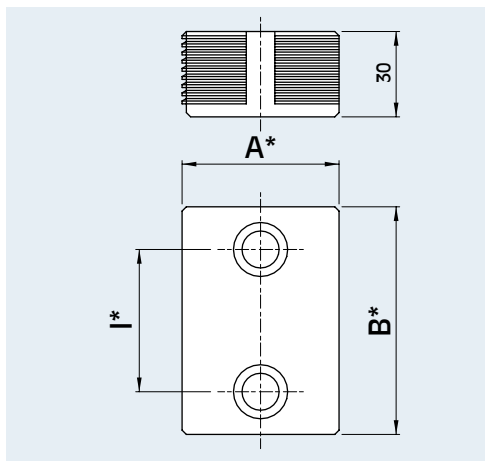
**Pair of T-nuts
with screw
CAM SYSTEM "t"**

Cod.	T mm
58 44 25 93	14
58 44 25 94	16
58 44 25 95	18
58 44 25 96	20
58 44 25 97	22



CAM SYSTEM "g" single

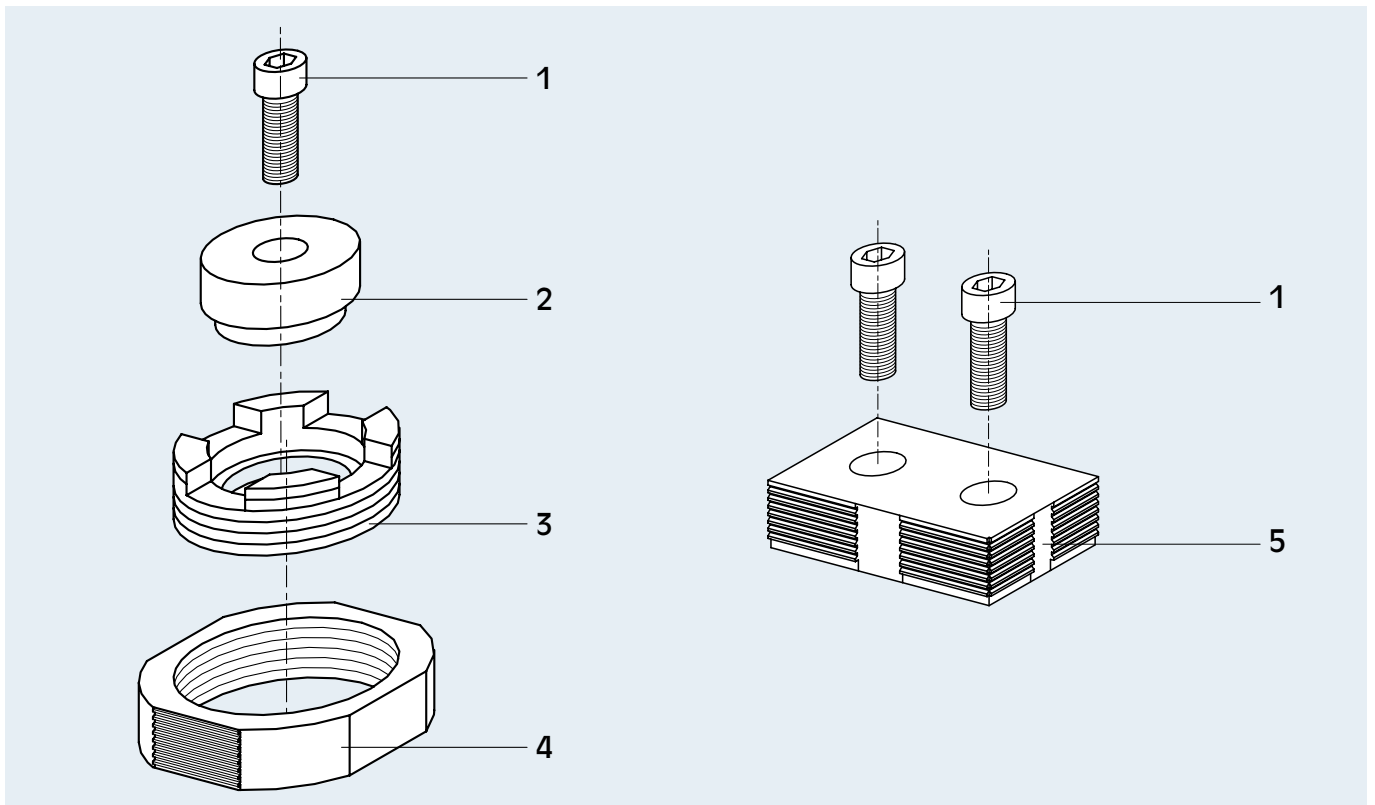
Cod.
58 44 50 20



Fixed block CAM SYSTEM "g"

dimensions A,B,I must be specified when ordering

Cod.
58 44 14 00



Description

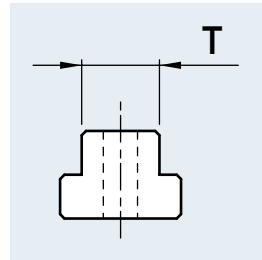
- | | | |
|------------------------|--------------------------|--------------------|
| 01.....Screw | 03.....Eccentric element | 05.....Fixed block |
| 02.....central element | 04.....Clamping element | |

CAM SYSTEM "S"

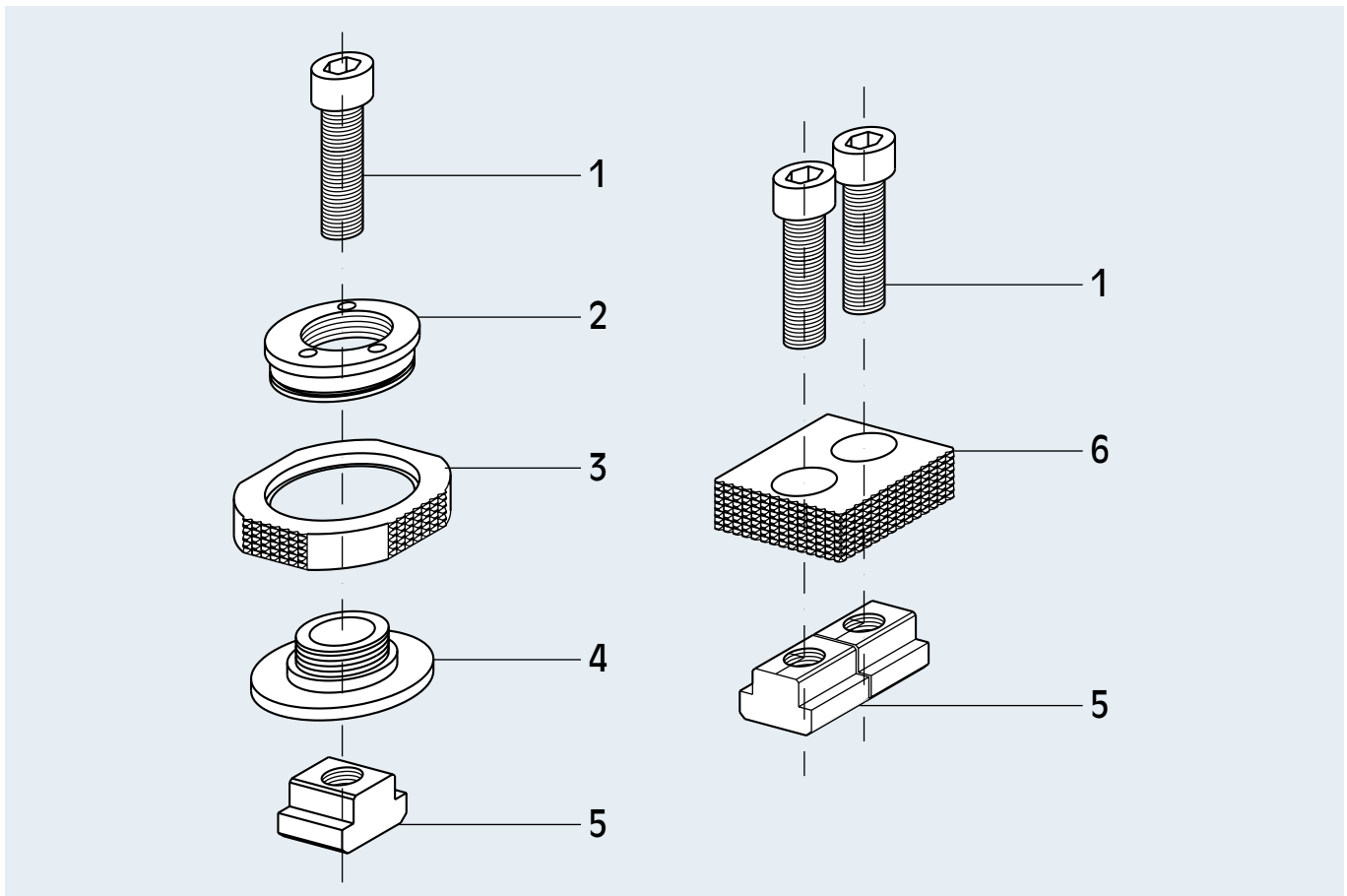
eccentric self-locking clamping devices



Set Cam SYSTEM "s" complete with:
 N. 4 CAM SYSTEM "s"
 N. 4 fixed block CAM SYSTEM "s"
 N. 6 pair of T-nuts with screw
 N. 1 Key for CAM SYSTEM "s"
 wooden packing case

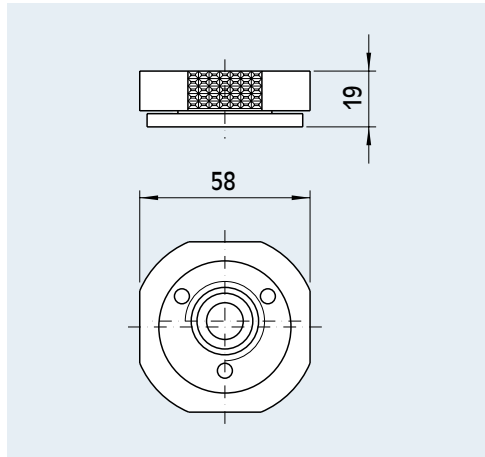


Cod.	T mm
77 58 43 14	14
77 58 43 16	16
77 58 43 18	18
77 58 43 20	20
77 58 43 22	22



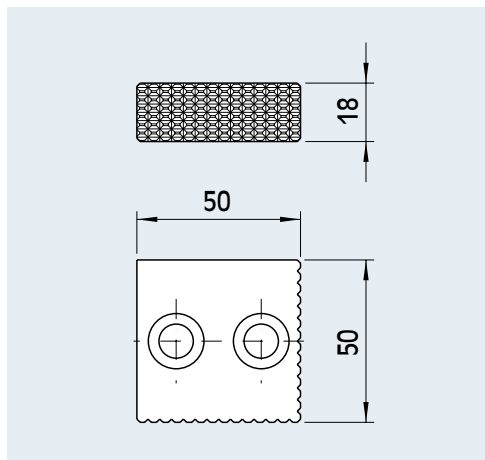
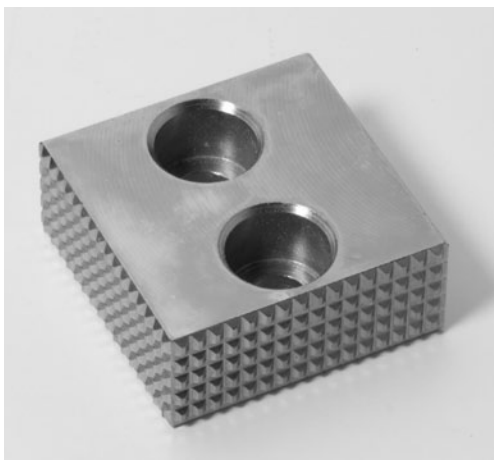
Description

01.....Screw | 03.....Clamping element | 05.....TT-nuts
 02.....Eccentric element | 04.....Central element | 06.....Fixed block



CAM SYSTEM "S"
single

Cod.
58 43 50 00



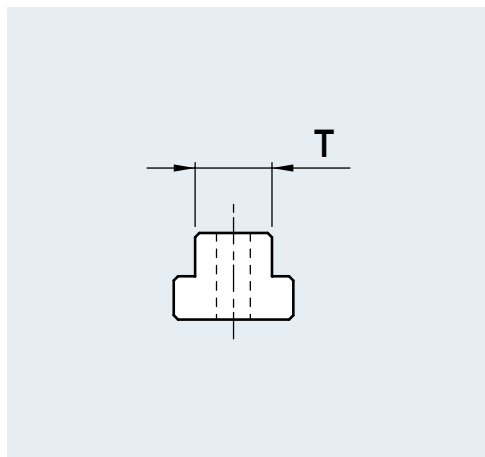
Fixed block
CAM SYSTEM "S"

Cod.
58 43 04 00



Key for
CAM SYSTEM "S"

Cod.
58 43 08 00



Pair of T-nuts
with screw
CAM SYSTEM "S"

Cod.	T mm
58 43 25 93	14
58 43 25 94	16
58 43 25 95	18
58 43 25 96	20
58 43 25 97	22

CAM SYSTEM

eccentric self-locking clamping devices

